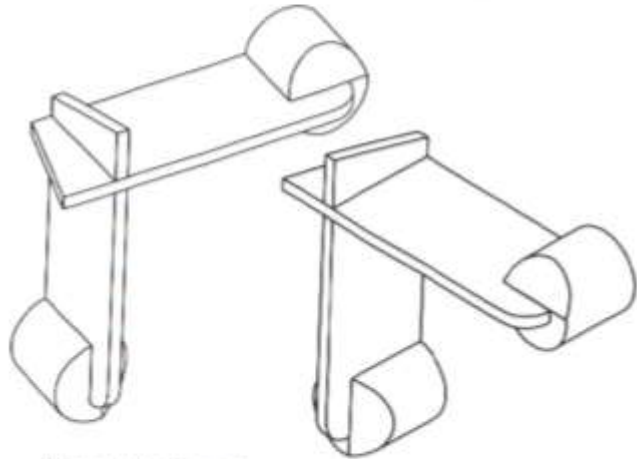


VISUALISATION | EXAM PREPARATION 1

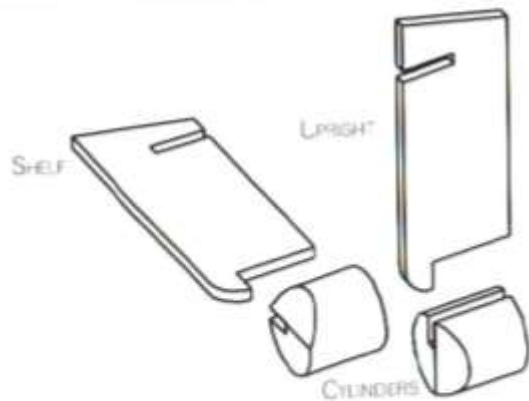
You will not have to complete drawings in the exam but you will be asked questions that will enable you to demonstrate your understanding of drawings and how they are created.

A geometric shelf unit is shown. The shelf unit is a self-assembly type. The components slot together and are held in place using glue.

Study the assembly drawings and exploded drawing and answer the questions 1–6.



PICTORIAL ASSEMBLES

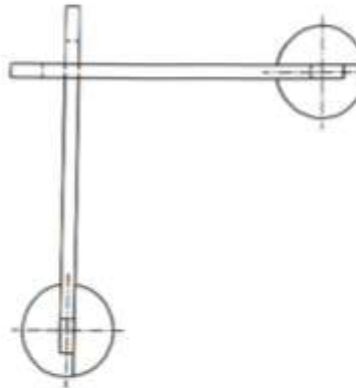


PICTORIAL EXPLODED VIEW

GEOMETRIC SHELVING UNIT



PLAN



ELEVATION



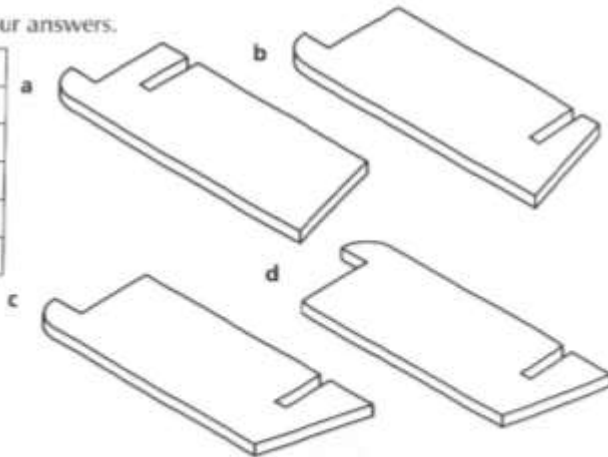
END ELEVATION

Copy the answer table below and record your answers.

Visualisation answer table		
Component		Match
1	Shelf	
2	Upright	
3	Cylinder	
4	Surface development	

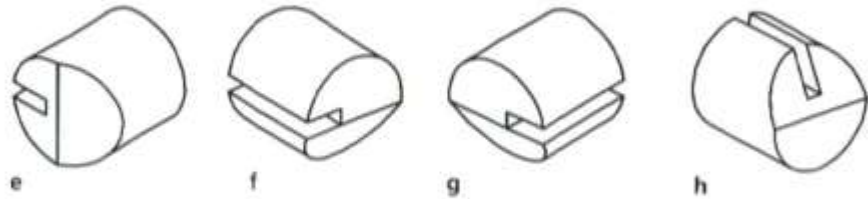
From the parts shown:

- State the part that matches the shelf used in the shelf unit.
- State the part that matches the upright used in the shelf unit.



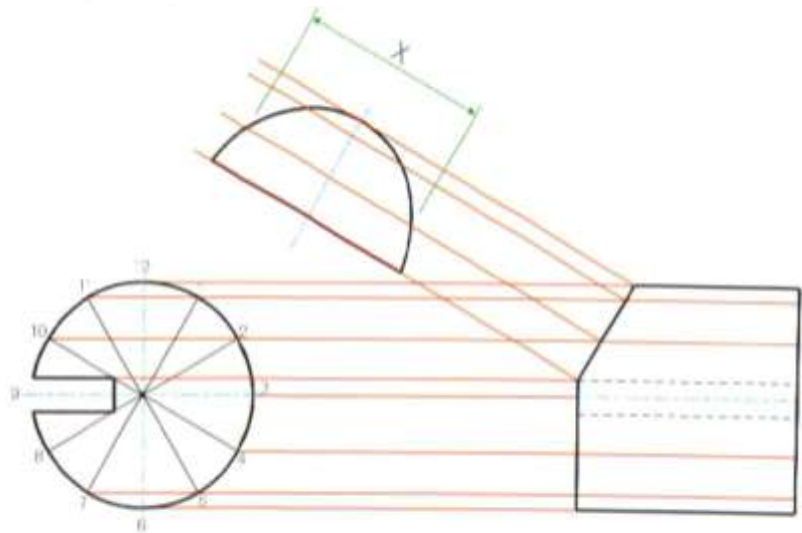
VISUALISATION | EXAM PREPARATION 2

3 State the part that matches the cylinder used in the shelf unit.



4 The curved surfaces of the cylinders are to be decorated with a wrap-around transfer. Three possible surface developments have been produced for this purpose (i–k, shown on the right). From the parts shown here, state the surface development that matches the orthographic views of the cylinder. You may use a ruler or compass to help you arrive at a choice.

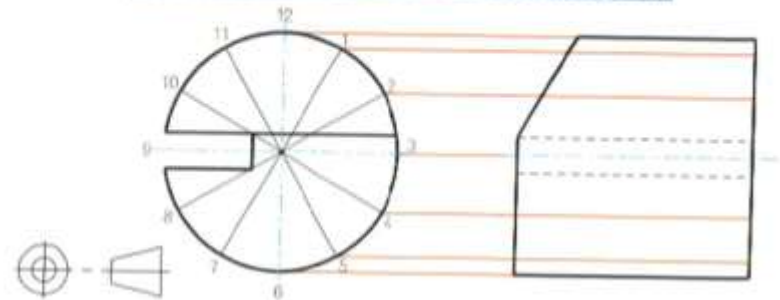
The designer projected another view, below.



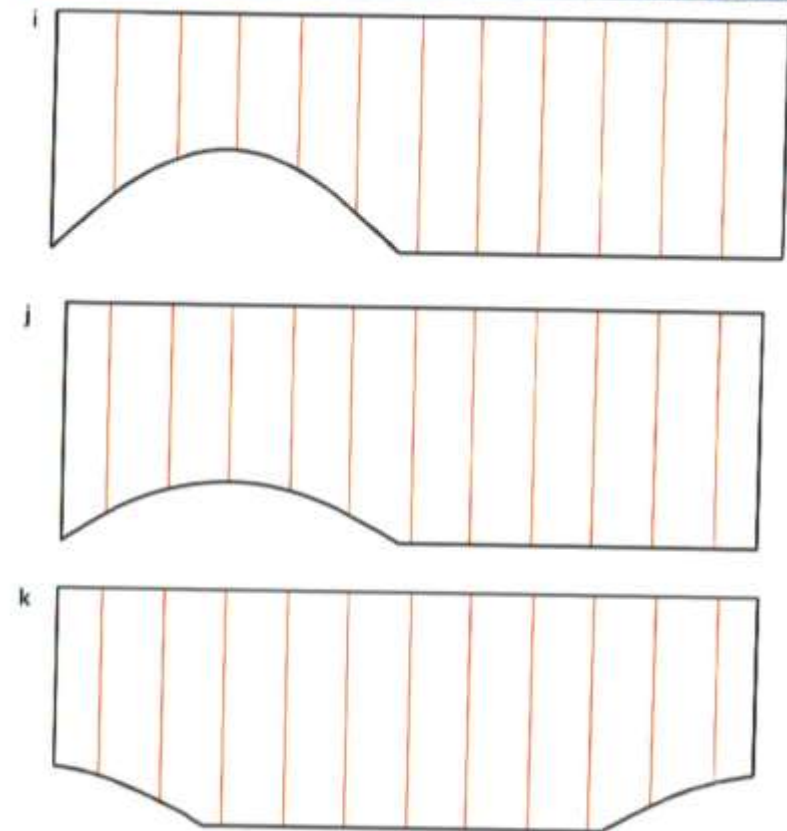
5 State the purpose of this view.

6 Using the numbers provided, state where the size shown at 'X' was found.

ORTHOGRAPHIC VIEWS OF THE CYLINDER



THREE POSSIBLE SURFACE DEVELOPMENTS OF THE CYLINDER

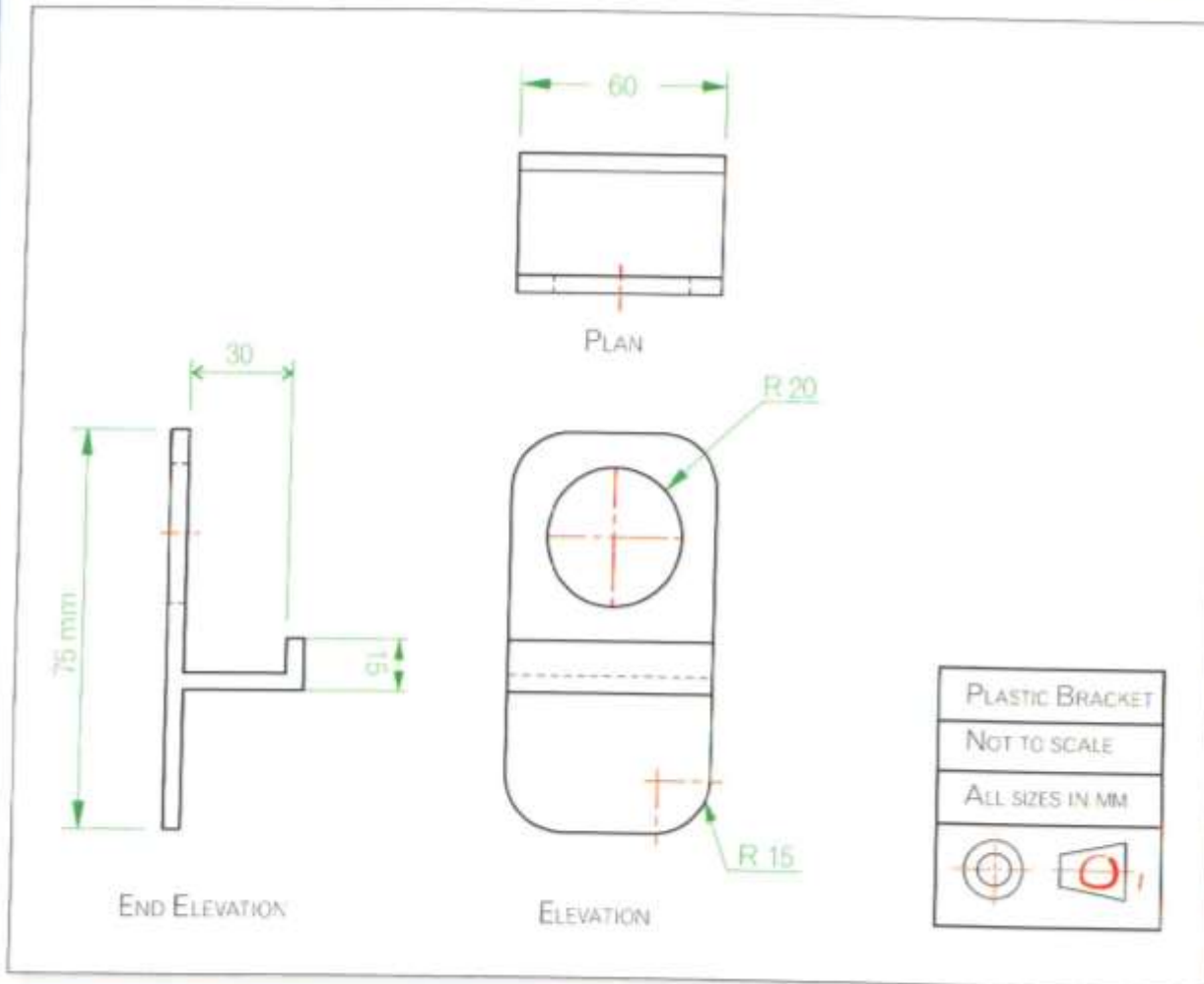


DRAWING STANDARDS | EXAM PREPARATION

1. Dimensioned production drawings for the manufacture of a plastic support bracket are shown below. They are incomplete.

The drawings were to be produced in accordance with British drawing standards.

Identify eight British Standards **drawing and dimensioning errors** on the production drawing (do not include omitted dimensions or features in your answer).



'SURREALISM IS **DESTRUCTIVE**, BUT IT

DESTROYS ONLY **WHAT IT** CONSIDERS TO

BE **SHACKLES** LIMITING OUR VISION.'

Salvador Dali

Copy out the table, then identify and describe each error as per the example given below.

Drawing standards errors in the support bracket production drawing		
	Description of the error	Marks
1	This line should be a centre line, not a solid line.	1
2		1
3		1
4		1
5		1
6		1
7		1
8		1
9		1