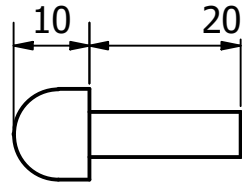
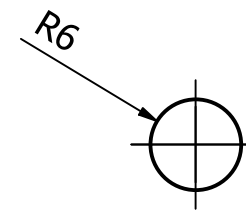


END ELEVATION

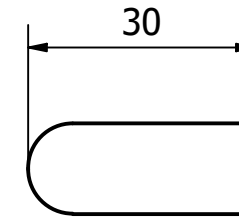


ELEVATION

LENS CENTRE SCALE 1:1

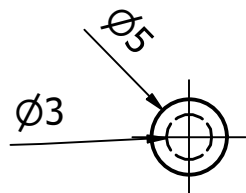


END ELEVATION

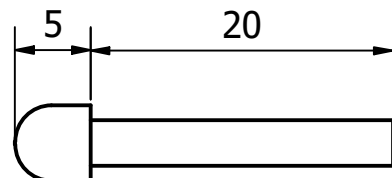


ELEVATION

CAMERA BUTTON SCALE 1:1

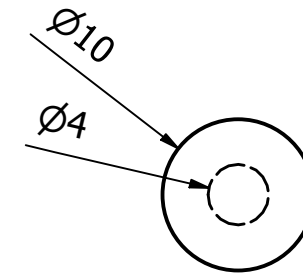


END ELEVATION

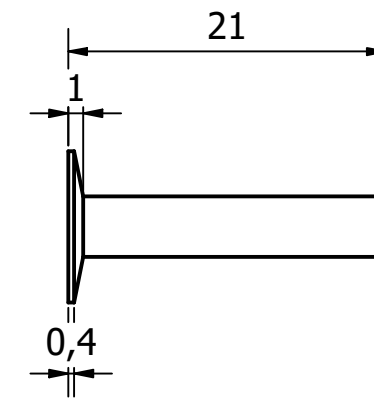


ELEVATION

TOP RIVET SCALE 2:1

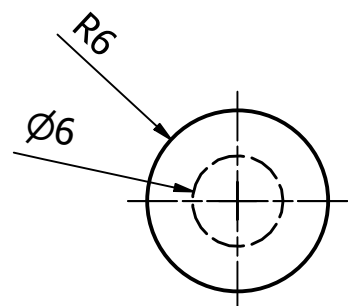


END ELEVATION

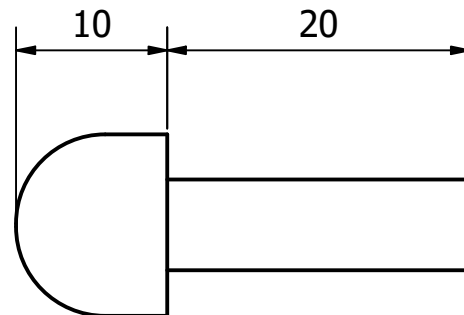


ELEVATION

BOTTOM RIVET SCALE 2:1



END ELEVATION



ELEVATION

FLASH SCALE 2:1

DESIGNED BY cgault	CHECKED BY	APPROVED BY	DATE	DATE 26/11/2019	
			Camera Parts		
			ISSUE	SHEET 1 / 2	