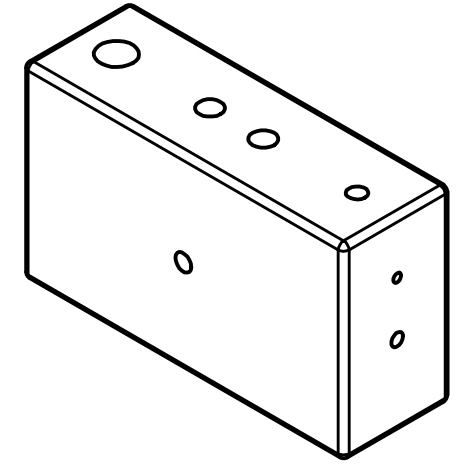
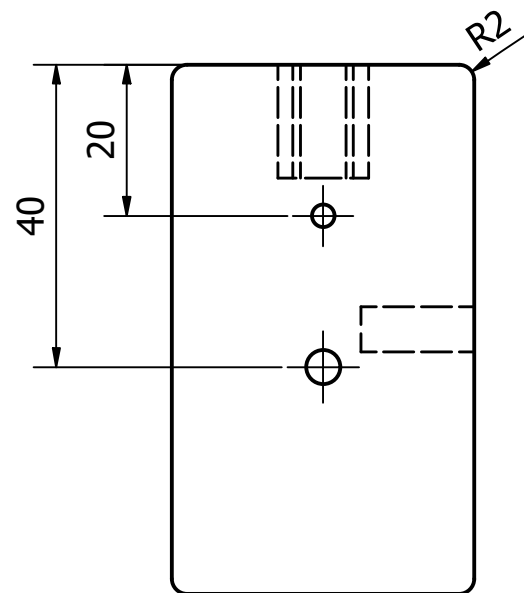


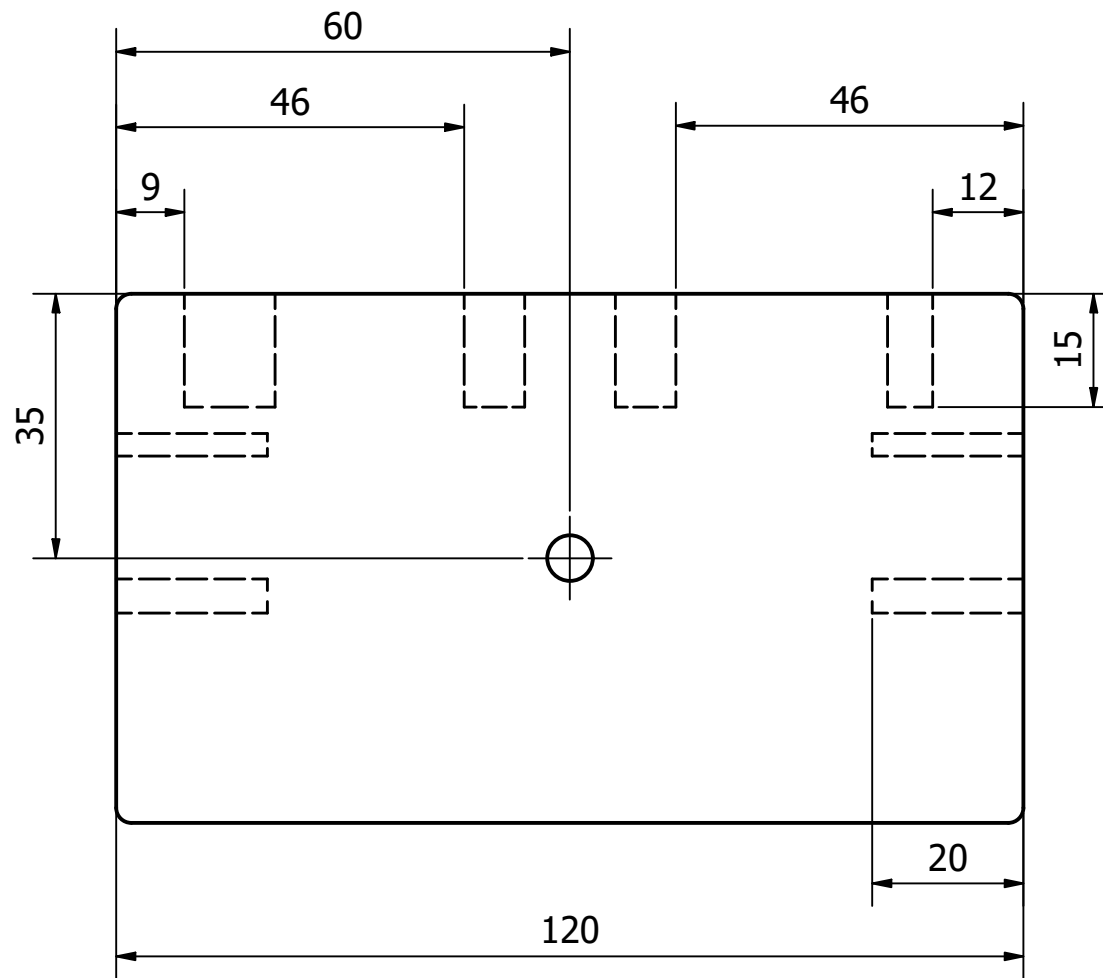
PLAN



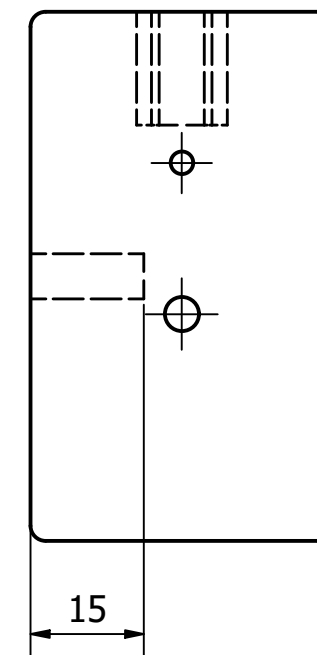
ISOMETRIC



END ELEVATION



ELEVATION



END ELEVATION

DESIGNED BY cgault	CHECKED BY	APPROVED BY	DATE	DATE 26/11/2019
			ISSUE	
			SHEET 1 / 1	

Camera Main Body Drawing

ISSUE

SHEET
1 / 1